

# All-Weather™ Series

The perfect tank for harsh environments



## Features

- Rugged polypropylene outer shell
- 10 bar pressure rating
- Diaphragm design
- Leak-free O-ring sealed air valve
- Comprehensive testing
- Maintenance-free



Certifications may vary by model. Check with your GWS sales representative for more detailed information.

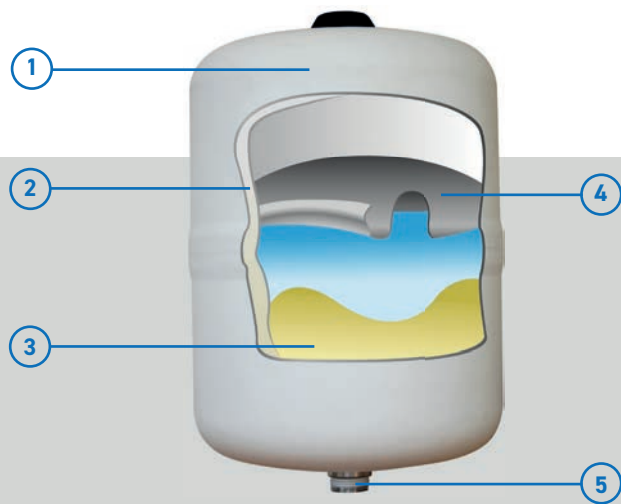
All-Weather™ series pressure tanks are suitable for a variety of applications where the tank requires more protection from harsh environments.

The Patented PLASTEEL shell ensures an impenetrable protective shielding against the harshest elements. The All-Weather series is capable of resisting all weather conditions such as wind, rain, snow and sun, and is the perfect solution for marine or mining applications.

The All-Weather series represents a ground breaking step forward in pressure tank technology. As with all GWS products, these tanks are quality-tested throughout the production process to ensure their structural integrity.

### Construction of an All-Weather™ tank

1. Polypropylene shell
2. Internal steel shell
3. Virgin polypropylene liner
4. High-grade butyl diaphragm
5. Patented stainless steel water connection



Where Water Gets Better

## Models

Model Number		Connection	Nominal Volume		Dimensions (mm)			Gross Weight [kg]
BSP	NPT		Liters	Gallons	A	B	C	
<b>Inline Models</b>								
AWB-18LX	AWN-18LX	1" BSPT / 1" NPT	18	4.8	422	276	-	5.1
AWB-24LX	AWN-24LX	1" BSPT / 1" NPT	24	6.3	451	301	-	6.2

Note: Minor dimensional variations may occur.

## Specifications

Product Series Name	All-Weather™
Nominal Volumes	18 - 24 L / 4.7- 6.3 gal
Min. Operating Temperature	-10°C / 14°F (Avoid Freezing)
Max. Operating Temperature	90°C / 194°F
Max. Operating Pressure	10 bar   150 psi
Factory Pre-charge	1.9 bar   28 psi

