

M-Inox™ SERIES



FEATURES

- High Grade Stainless Steel Tank construction
- Single diaphragm design
- CE/PED, WRAS, ACS, ISO:9001 approved
- Patented stainless steel water connection
- Virgin polypropylene liner
- Leak free, o-ring sealed air valve cap
- Comprehensive testing
- No maintenance

M-Inox™ stainless steel tanks are ideally suited for special demands and environments.

The M-Inox™ Series is constructed of a virgin polypropylene liner combined with an FDA approved high grade butyl diaphragm. This is held against the wall of the tank with a steel clench ring. The brass air valve, sealed by a threaded o-ring valve cap, prevents air leaks. Water enters the tank through a patented stainless steel water connection. The diaphragm and liner are both reinforced in specific wear areas for longer life. All internal parts including the air valve are rounded to prevent piercing of the diaphragm in extreme conditions. The water connection uniquely provides a dual water/air seal ensuring a complete leak free and maintenance free pressure vessel.

M-Inox™ tanks are quality tested at several stages on the production line to insure the structural integrity of every tank.

M-Inox™ tanks represent the best value for the investment and are the best quality stainless steel pressure vessels available today.

SPECIFICATIONS

M-Inox™ Series Models

| BSP | NPT | Conne- ction | Nominal Volume | | Shipping (box) Volume | | Shipping (box) Weight | | Dimensions | | | | | |
|--------------------------|----------|-----------------|-------------------|-----|-----------------------------|-----------------|-----------------------------|-------|------------|--------|-------|--------|-------|--------|
| | | | liter | gal | m ³ | ft ³ | kg | lbs | A | | B | | C | |
| | | BSP / NPT | | | | | | | cm | inches | cm | inches | cm | inches |
| Inline Models | | | | | | | | | | | | | | |
| MIB-8LX | MIN-8LX | 1" | 8 | 2.1 | 0.014 | 0.49 | 2.35 | 5.18 | 31.50 | 12.40 | 20.20 | 7.95 | | |
| MIB-18LX | MIN-18LX | 1" | 18 | 4.8 | 0.03 | 1.06 | 4.26 | 9.39 | 38.40 | 15.12 | 27.90 | 11.20 | | |
| MIB-24LX | MIN-24LX | 1" | 24 | 6.3 | 0.042 | 1.48 | 5.32 | 11.73 | 46.75 | 18.40 | 29.00 | 11.42 | | |
| Horizontal Models | | | | | | | | | | | | | | |
| MIB-18LH | MIN-18LH | 1" | 18 | 4.8 | 0.048 | 1.70 | 4.70 | 10.36 | 38.40 | 15.12 | 30.90 | 12.17 | 15.50 | 6.10 |

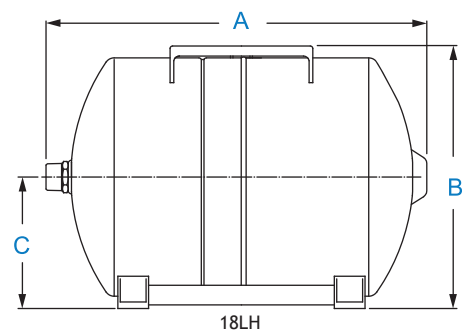
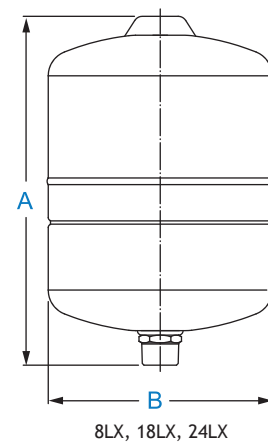
Tank precharge: 1.9 bar / 28 psi

Note: Minor dimensional variation may occur

Maximum Working Pressure: 10 bar / 150 psi Maximum Working Temperature: 90°C / 194°F



- ① Stainless Steel Tank
- ② Water Chamber
- ③ Patented Stainless Steel Water Connection
- ④ Leak-Free O-ring Sealed Air Valve Cap
- ⑤ High Grade Butyl Diaphragm
- ⑥ Virgin Polypropylene Liner



ACS
Approved

WRAS
APPROVED
PRODUCT



M-Inox™